

RAYTOOLS AK390TC SERIES

Parabolic 3-way Cladding Head

Power Rate 20000W



scan it for more details

High Power Rating

Adapted direct water-cooled copper mirror, with a long service cycle, maximum power handling up to 20KW

3-Port Cladding

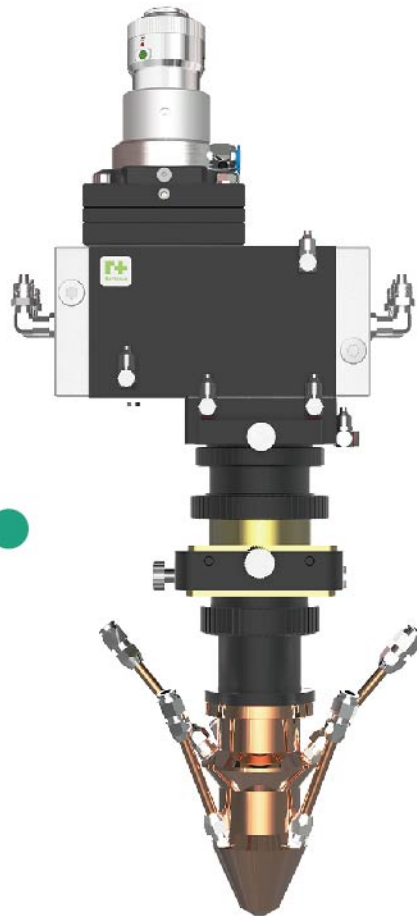
Powder nozzles can achieve high powder utilization and large working range of processing technology through optimized design.

Various Powder Options

Different add-on components can be used to achieve high power laser three-port powder delivery solution, round conveying powder design and custom available.

Efficient Water Cooling

Double channel water-cooled design, the mirror holder and the laser head body are equipped with water-cooled micro structures.



Specifications

Fiber Interface	QBH , LLK-D , QD
Clear Aperture	49.5 mm
Collimator Focal Length	100mm , 150mm
Focusing Focal Length	300mm
Cover Glass	φ50 mm * 2 mm
Assist gas pressure	2~3bar
Weight	~7.5 kg

Specifications subject to change without notice.