

RAYTOOLS AK190TC SERIES

Parabolic Fiber Cladding Head

Power Rate **6000W**



scan it for more details

High Power Rating

Adapted direct water-cooled copper mirror with a long service cycle, maximum power handling up to 6KW.

High efficiency water cooling

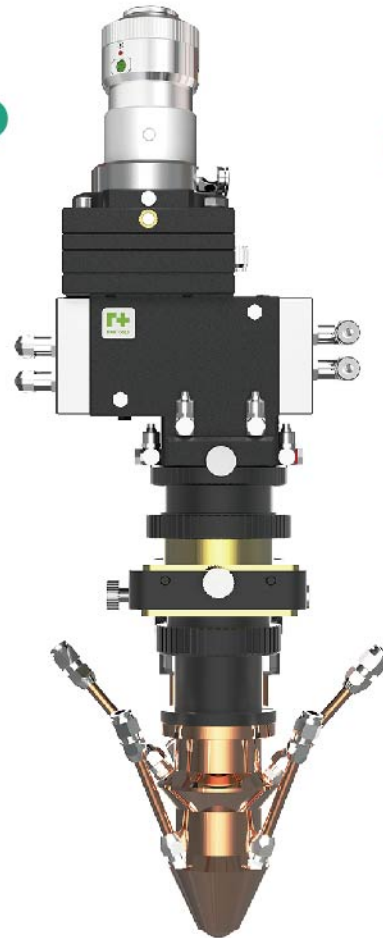
Double channel direct water-cooled structure design, the mirror holder and the laser head body are equipped with water-cooled structures to extend the working lifetime.

High Compatibility

With a variety of optical fiber interface, can be adapted with various lasers

Focal Length Customization

Various collimation and focusing configuration can be customized to meet different customer demands



Specifications

Fiber Interface	QBH , QD
Clear Aperture	34.5mm
Collimator Focal Length	100mm , 120mm , 150mm
Focusing Focal Length	300mm
Cover Glass	Φ30 mm * 5 mm
Assist gas pressure	≤5bar
Internal gas pressure	≤2bar
Weight	~5kg

Specifications subject to change without notice.